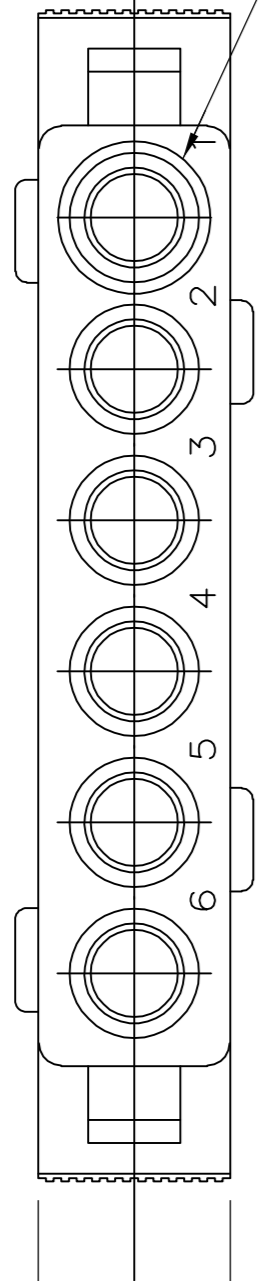


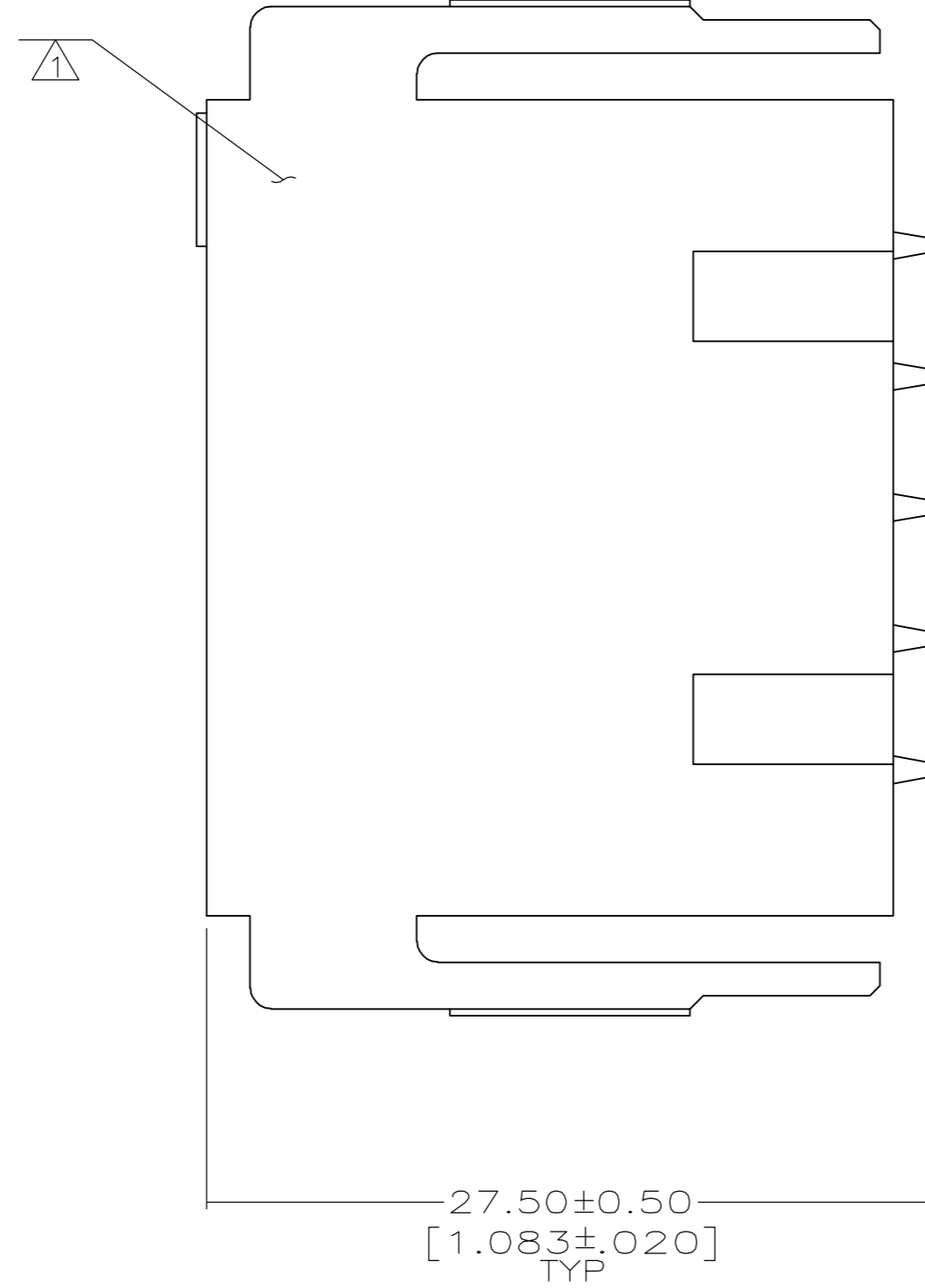
THIS DRAWING IS UNPUBLISHED. RELEASED FOR PUBLICATION
 © COPYRIGHT BY TYCO ELECTRONICS CORPORATION. ALL RIGHTS RESERVED.

LOC		DIST		REVISIONS			
P	LTR	DESCRIPTION		DATE	DWN	APVD	
		D1		REVISED PER ECO-06-831	1/12/06	SS	GS

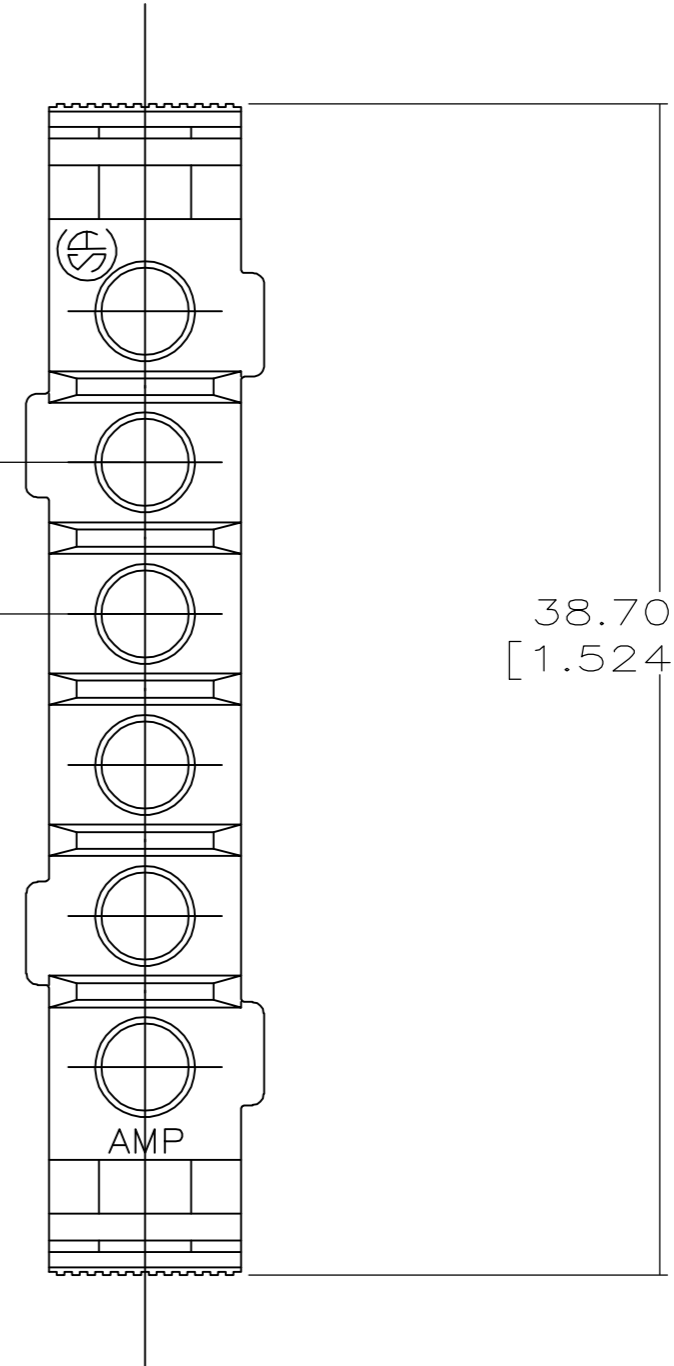
RAISED CAVITY IDENTIFICATION ON REAR FACE ONLY.



7.85 MAX
[.310]



5.00
[.197]
TYP



WHITE DOT NEAR POSITION 1.

207377-2
207377-1
PART NUMBER

THIS DRAWING IS A CONTROLLED DOCUMENT.		DWN	8-14-91		Tyco Electronics Corporation Harrisburg, PA 17105-3608	
DIMENSIONS: mm [INCHES]		CHK	-			
		TOLERANCES UNLESS OTHERWISE SPECIFIED:		NAME		
		0 PLC	± -	PRODUCT SPEC		
		1 PLC	± -	APPLICATION SPEC		
		2 PLC	± -	-		
MATERIAL		FINISH		WEIGHT	RESTRICTED TO	
THERMOPLASTIC		-		-	-	
CUSTOMER DRAWING				SCALE	SHEET	REV
-				4:1	1 of 1	D1